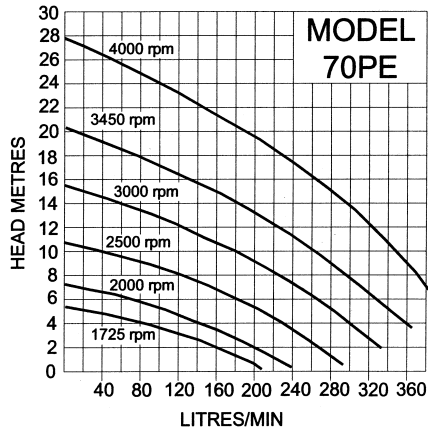
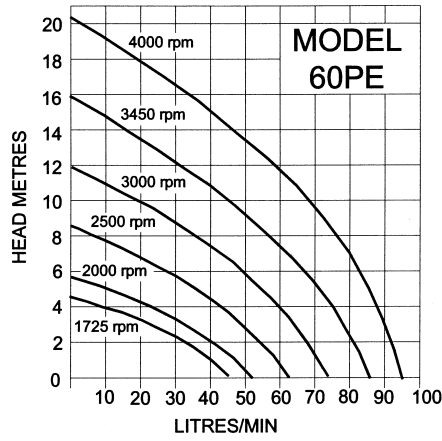
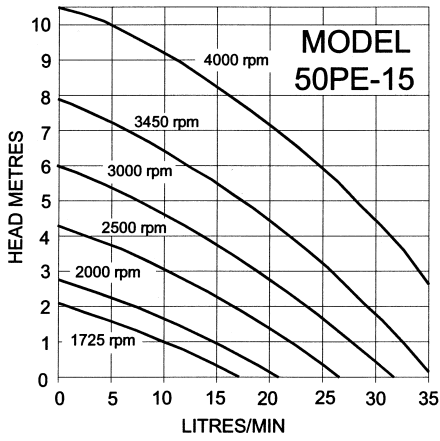
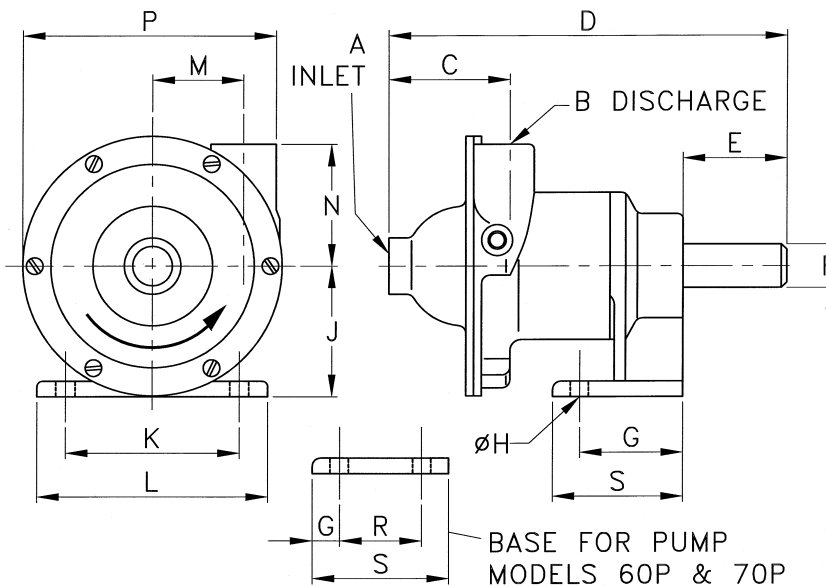


## PERFORMANCE



## DIMENSIONS

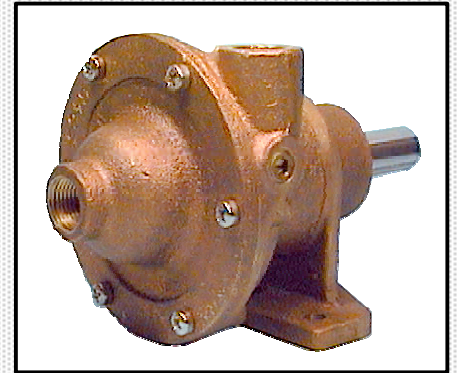


Dimensions in mm

MODEL	A	B	C	D	E	F	G	H	J	K	L	M	N	P	R	S
50P-15	3/8"	3/8"	44.5	146	38	15.9	38	7.1	47.7	63	84	33	44	92	-	47
60P	3/4"	1/2"	47.7	152	35	15.9	9.6	7.1	82.5	76.2	95.2	54.8	76.2	127	50.8	68.3
70P	1 1/4"	1"	25.4	152	35	15.9	11.9	7.1	82.5	76.2	104	47.7	101	165	67.3	37.6

# OBERDORFER

## CENTRIFUGAL PUMPS IN BRONZE



- † Corrosion-resistant bronze body and impeller, stainless steel shaft
- † BSP internal threaded ports
- † Carbon-ceramic mechanical shaft seal
- † Clockwise rotation (viewed from drive end)
- † Can handle fresh water at temperatures up to 100°C
- † Non-self-priming

DOC315/00